

AI-9

# PRODUCT MANUAL

---

Vector Illustration

Vector Illustration

M A P

M A P



**MAYA**  
communications

# OPTICAL FIBER FUSION SPLICER

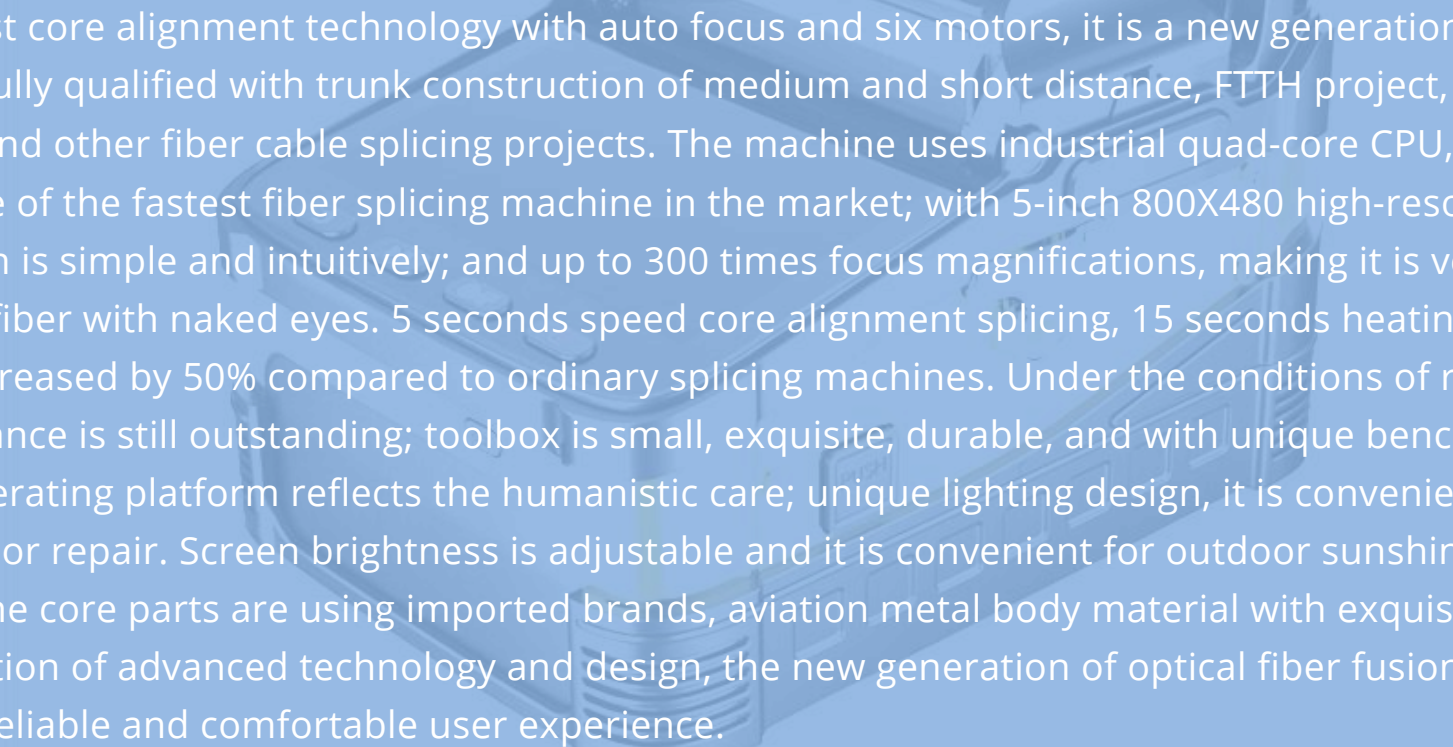
OPTICAL FIBER FUSION SPLICER



# NEW PRODUCT LAUNCH

## CLASSIC MASTERPIECE

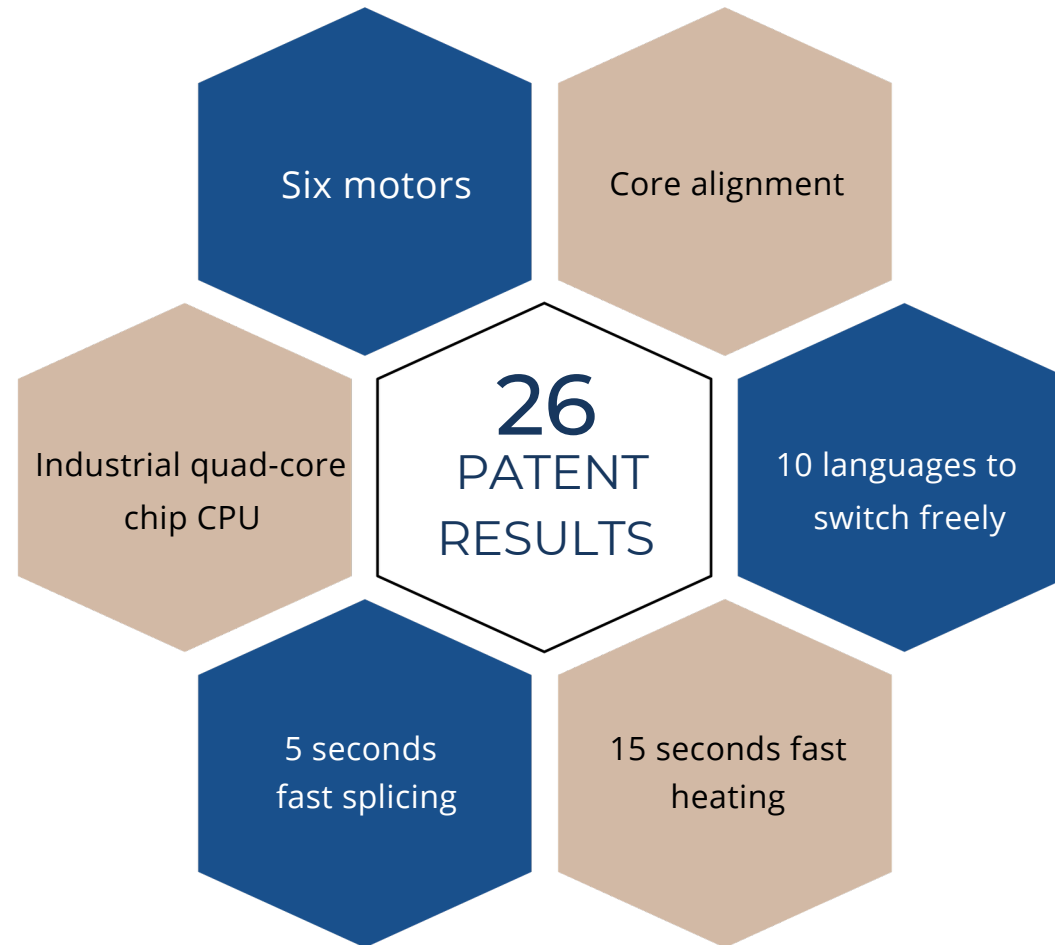
OPTICAL FIBER FUSION SPLICER



use the latest core alignment technology with auto focus and six motors, it is a new generation of fiber fusion splicer. It is fully qualified with trunk construction of medium and short distance, FTTH project, security monitoring and other fiber cable splicing projects. The machine uses industrial quad-core CPU, fast response, is currently one of the fastest fiber splicing machine in the market; with 5-inch 800X480 high-resolution screen, the operation is simple and intuitively; and up to 300 times focus magnifications, making it is very easy to observe the fiber with naked eyes. 5 seconds speed core alignment splicing, 15 seconds heating, the working efficiency increased by 50% compared to ordinary splicing machines. Under the conditions of rigorous testing, the performance is still outstanding; toolbox is small, exquisite, durable, and with unique bench design. The design of operating platform reflects the humanistic care; unique lighting design, it is convenient for night construction or repair. Screen brightness is adjustable and it is convenient for outdoor sunshine environment operation. The core parts are using imported brands, aviation metal body material with exquisite details. With the combination of advanced technology and design, the new generation of optical fiber fusion splicer will bring you a reliable and comfortable user experience.

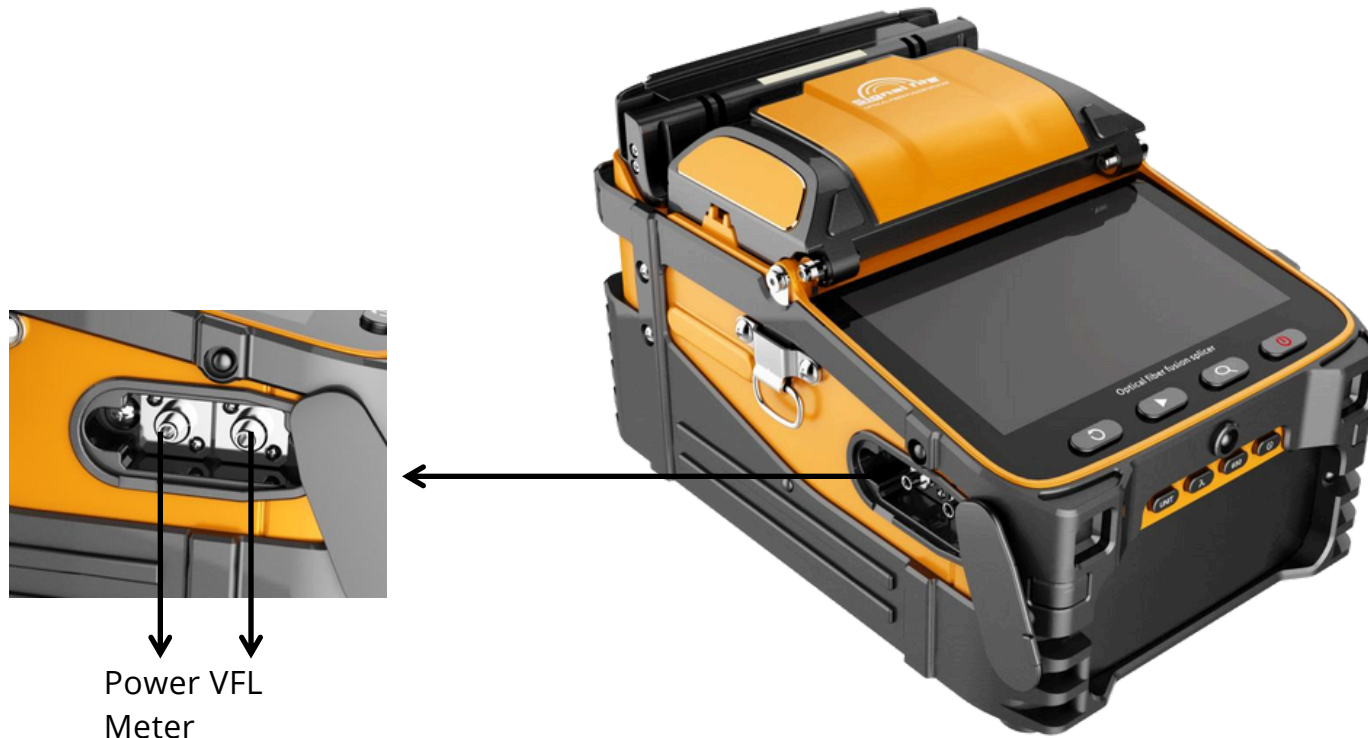
# MASTERPIECE HIGH-END LUXURY

OPTICAL FIBER FUSION SPLICER



# METAL BODY AESTHETIC DETAILS

OPTICAL FIBER FUSION SPLICER



Power VFL  
Meter

VFL: Always on / flashing / off

Power Meter:

8 5 0n m/1300nm /1310nm /1490nm  
/1550nm/1625nm Six states

## BUILT-IN POWER METER AND VFL

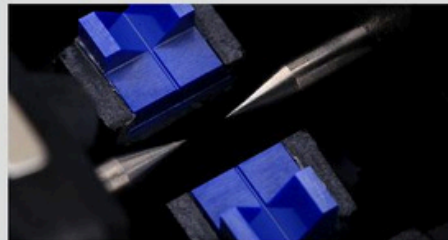
Effectively measure connection loss, verify continuity, and help assess fiber link transmission quality.

# METAL BODY AESTHETIC DETAILS

OPTICAL FIBER FUSION SPLICER

## PRODUCT DETAILS

Factory Address: No.578 Shiqiang Zone, Jiaxing Industrial Park, Shiqiang District, Chengde, China. Factory Address: No.578 Shiqiang Zone, Jiaxing Industrial Park, Shiqiang District, Chengde, China.



## EXQUISITE DETAILS

Factory Address: No.578 Shiqiang Zone, Jiaxing Industrial Park, Shiqiang District, Chengde, China. Factory Address: No.578 Shiqiang Zone, Jiaxing Industrial Park, Shiqiang District, Chengde, China.



# THE TOOLBOX

COMES WITH A STOOL TO FACILITATE THE CONSTRUCTION WORKERS.

OPTICAL FIBER FUSION SPLICER



Stool can bear 100KG

Remove the stool



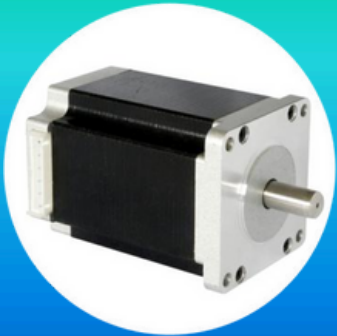
Do not need to take out the splicer machine from the toolbox while working.

Fiber cleave operator station



Two layers

# CORE PARTS QUALITY ASSURANCE



Siemens stepper motor



Roth ROUST linear guide



Sanyo lithium battery

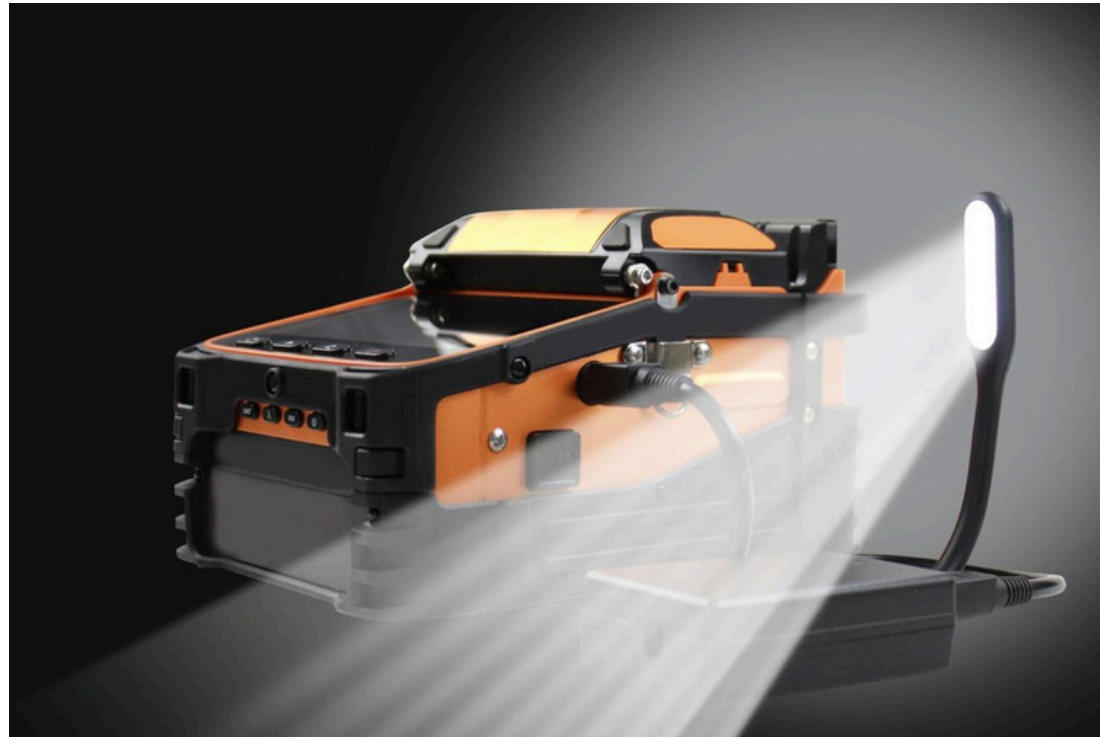


Aviation metal material



# Lighting for splicer

Convenient for night operation



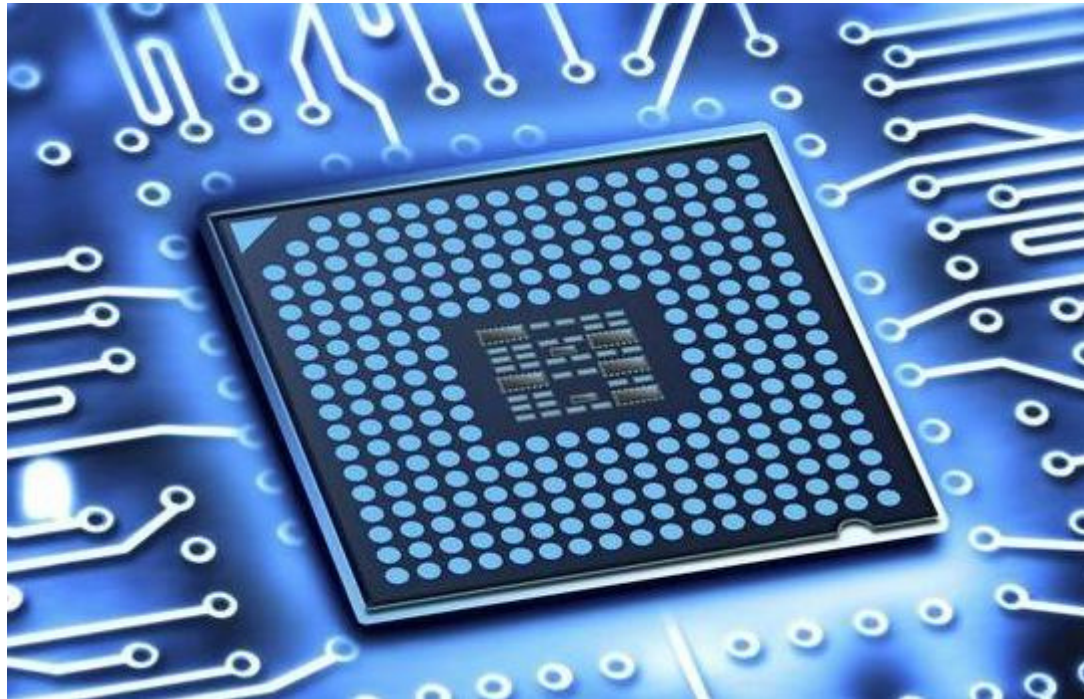
# Can charge the phone

Avoid the use of outdoor construction mobile phones without electricity



# INDUSTRIAL QUAD-CORE CHIP CPU

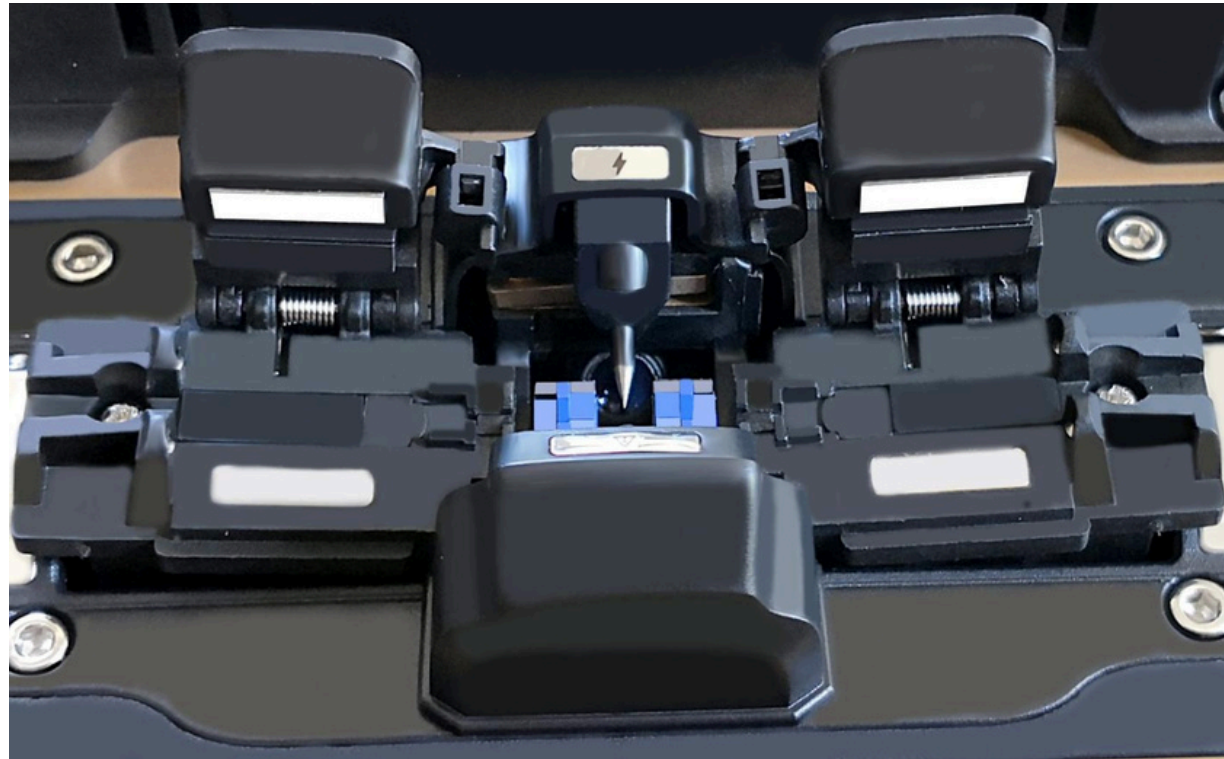
— ■ ■ —  
Synchronous operation / speed response / no jammed / super experience



# 3 IN 1 FIBER HOLDER

OPTICAL FIBER FUSION SPLICER

SM, MM, bare fiber, pigtail, rubber-insulated, multi fiber cable



OPTICAL FIBER FUSION SPLICER

# 7800mAh LARGE CAPACITY BATTERY

charging time  $\leq 3.5$  hours/continuous splicing and heating about 260 times



Press to popup  
the battery

# 10 LANGUAGES TO SWITCH FREELY

Covers the global major user market



# Show good performance in plateau, desert, and extreme cold environment

OPTICAL FIBER FUSION SPLICER



# BASIC PARAMETER

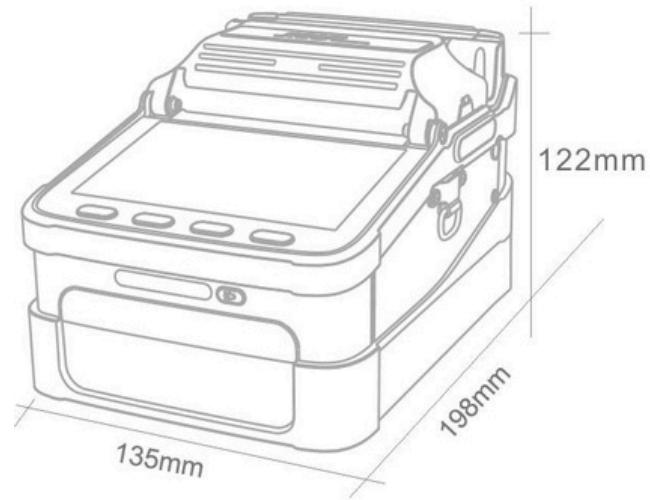
OPTICAL FIBER FUSION SPLICER

Fiber alignment	Core/cladding alignment / Manual alignment	Language Setting	10 languages to switch freely
Splicing time	5S	Tension Test	Standard 2N
Heating time	15S	Fiber holders	3 in 1 fiber holder, SM, MM, bare fiber, pigtail, rubber-insulated, multi fiber cable
Heating mode	Automatic heating (Preheating)	Magnification	300 for X or Y view, 150 for X or Y view
Focus mode	Six motors Auto focus	Screen	5 inch TFT color display
Applicable Fibers	SM(G.652&G.657)、MM (G.651)、DS(G.657)、NZDS (G.655)	Splicing Mode	Normal / high precision splicing
Splice Loss	0.025dB (SM)、0.01dB (MM) 0.04dB (DS/NZDS)	Splicing method	Fully automatic、 Step by step splicing
Control technology	Real-time control and calibration of fusion ARC	Splicing record storage	Synchronize to the phone, the server to cloud storage unlimited
Return loss	Better than 60DB	Built-in battery	7800 mA high-capacity lithium battery, charging time ≤ 3.5 hours, continuous splicing and heating about 260 times
Fiber diameter	Cladding Diameter: 80-150μm Coating Diameter: 100-1000μm	Power supply	Input AC100-240V 50 / 60HZ, output DC13.5V / 4.8A, the current power mode can be identified, real-time detection of battery power
Fiber Cleave Length	Coating less than 250μm: 8-16mm Coating less than 250-1000μm:16mm	Operating Conditions	Temperature -15 ~ +50 °C, humidity: <95% RH (no condensation) Working altitude: 0 ~ 5000m. Resist max. wind speed: ≤ 15m / s
Software update Length	Automatically update、 Update by a key	Shrinkable tube	60mm、 50mm、 40mm、 25mm
Boot time	1 second	Product protection	Waterproof, dust proof, shock-resistant



# Size

OPTICAL FIBER FUSION SPLICER



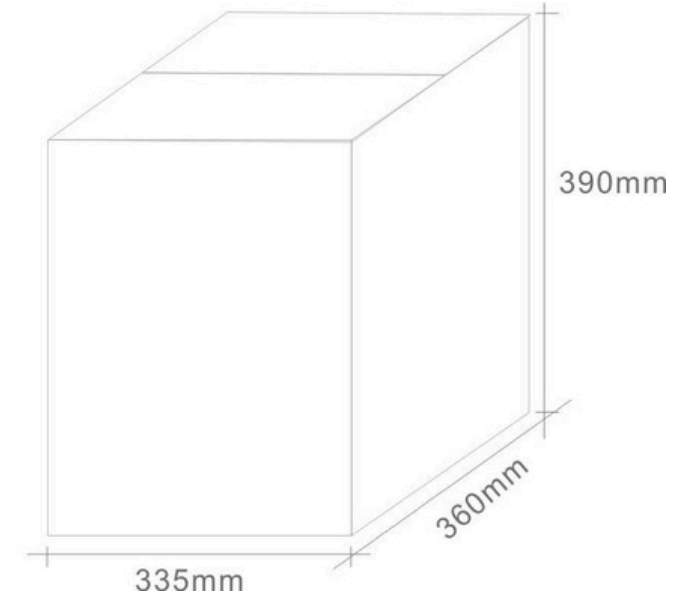
## Machine weight

2.08kg (with battery)  
1.60kg (without battery)



## Toolbox weight

7.1kg (including machine and accessories)



## Total weight

8.40kg

# Accessories in the tool box

OPTICAL FIBER FUSION SPLICER



Fiber Cleaver



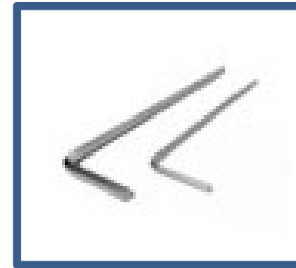
Spare electrode



Wire stripping pliers



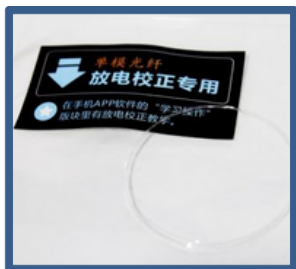
Miller stripper



Hex key



carrying case



Fiber for  
ARC calibration



Strap



Power Adapter



Alcohol Bottle



Brush



User's manual  
Quality Certificate  
Warranty Card

# ABOUT US

OPTICAL FIBER FUSION SPLICER



Yaax is a A High-Tech Enterprise Which Is Specialized In Research And Development, Production And Sales Of Communications Products. The Main Products Are Automatic Intelligent Optical Fiber Fusion Splicer, Optical Time Domain Reflectometer (OTDR), Light Power Meter, Optical Cable Construction Tools Equipment, Fiber Fusion And Taper Equipment, Optical Cable Blowing Machine Etc. Our Products Are Widely Used In China Telecom, China Mobile, China Unicom, Broadcasting, Electricity, Railways, Petrochemical, Military, Coal Industry, Research Institutions And Other Fields.



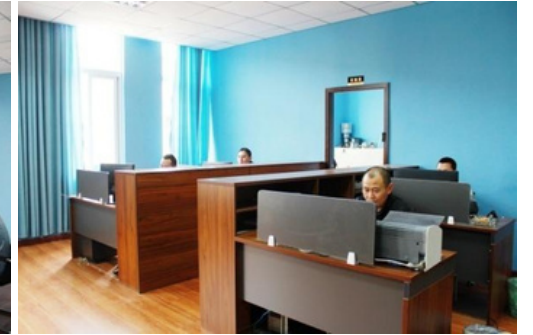
Our Company Has A Modern Production Plant And Standardized Office Buildings, With A Total Area Of Nearly 6,000 Square Meters, About 380 Employees, Including 10 Senior Engineers, 12 Master's Degree Or Above, Bachelor Degree Or Above Accounted For 45%.

# ABOUT US

OPTICAL FIBER FUSION SPLICER



Our Company Owns Independent Intellectual Property Rights For Optical Fiber Fusion Splicer And Its Related Products. Our Products Have Been Sold To Many Countries And Regions, Including North America, South America, Europe And Southeast Asia Etc, Our Products Have Gained Highly Praise From Customers.





We obtained PCT patents, 8 invention patents, 16 utility model patents, and 2 appearance patents.

OPTICAL FIBER FUSION SPLICER

专利合作条约  
PCT  
国际检索报告  
(PCT 第 18 条和规则 43 条 4d)

申请人或代理人的档案号 LZP18005	发明名称 见 PCT/ISA220 表第 1 项 适用时, 见下页第 5 项
国际申请号 PCT/CN2016/096016	国际申请日 (YY/MM/YY) 16.7.2016 (16.07.2016)
申请人 罗春晖 等	最早的优先权日 (YY/MM/YY)

按照第 18 条, 本国际检索报告由本国际检索单位发出并送交申请人。报告和技术国际检索。  
本国际检索报告总计 5 页。  
 它还有在本报告所引用的各现有技术文件的副本。

1. 检索的基础  
a 关于语言, 进行国际检索基于:  
 国际申请提交时使用的语言。  
 该国际申请的 \_\_\_\_\_ 语言译文, 为了国际检索的目的提供该种语言的译文 (规则 17.3(a) 和 25.1(b)).  
b  本国际检索报告考虑了本单元许可或通知的检索数据库所做出的明显性检索。  
(规则 4.2 之二 4a)).  
c  关于国际申请中公开的任何核苷酸和/或氨基酸序列 (见第 1 页)。

2.  某些权利要求被认为是不能检索的 (见第 11 页)。  
3.  缺乏发明的单一性 (见第 111 页)。

4. 关于发明名称。  
 同意申请人提出的发明名称。  
发明名称由本单元确定如下:

5. 关于摘要。  
 同意申请人提出的摘要。  
 根据规则 38.2(b), 摘要由本单元制定, 如第 IV 栏所示。自本国际检索报告发布之日起一个月内, 申请人可以向本单元提出异议。

6. 关于附图。  
a 除摘要一起公布的附图, 图 1  
 根据申请人提出的。  
由本单元选择的, 因为申请人没有建议一能图。  
由本单元选择的, 因为该图能更好地表示发明的特征。  
b  没有与摘要一起公布的附图。

PCT/ISA219 表第 1 页 (2013 年 1 月)



# SERVICE COMMITMENT

OPTICAL FIBER FUSION SPLICER



## **Five years warranty, but these circumstances are not within the scope of this provision.**

- 01.Except for the cleaver, miller clamp, stripping pliers, fiber holders and other tools whose life depends on the frequency of use and the use of the environment. Also electrodes are consumption material which are not in the warranty.
  
- 02.Battery and power adapter are warranty for one year, it is in free warranty where it is damaged or can not be charged in one year.

